
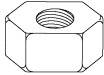
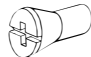
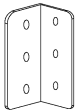

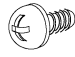
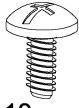
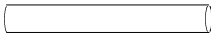

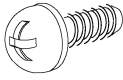


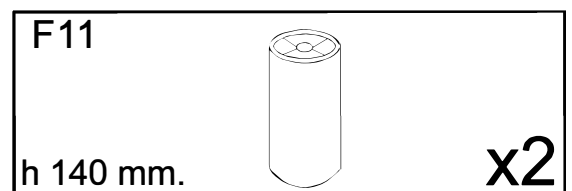
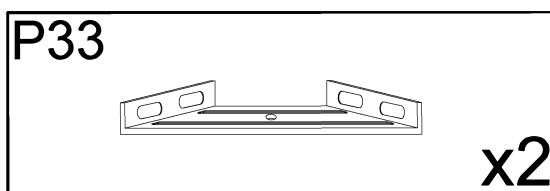
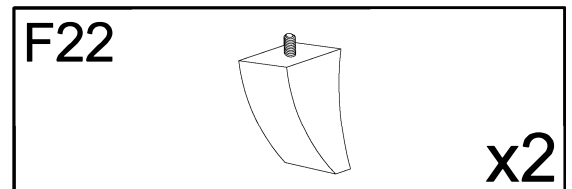
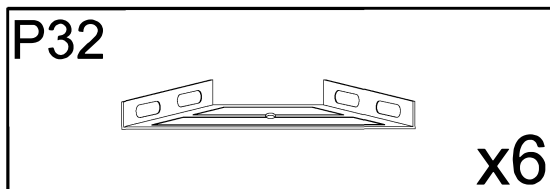
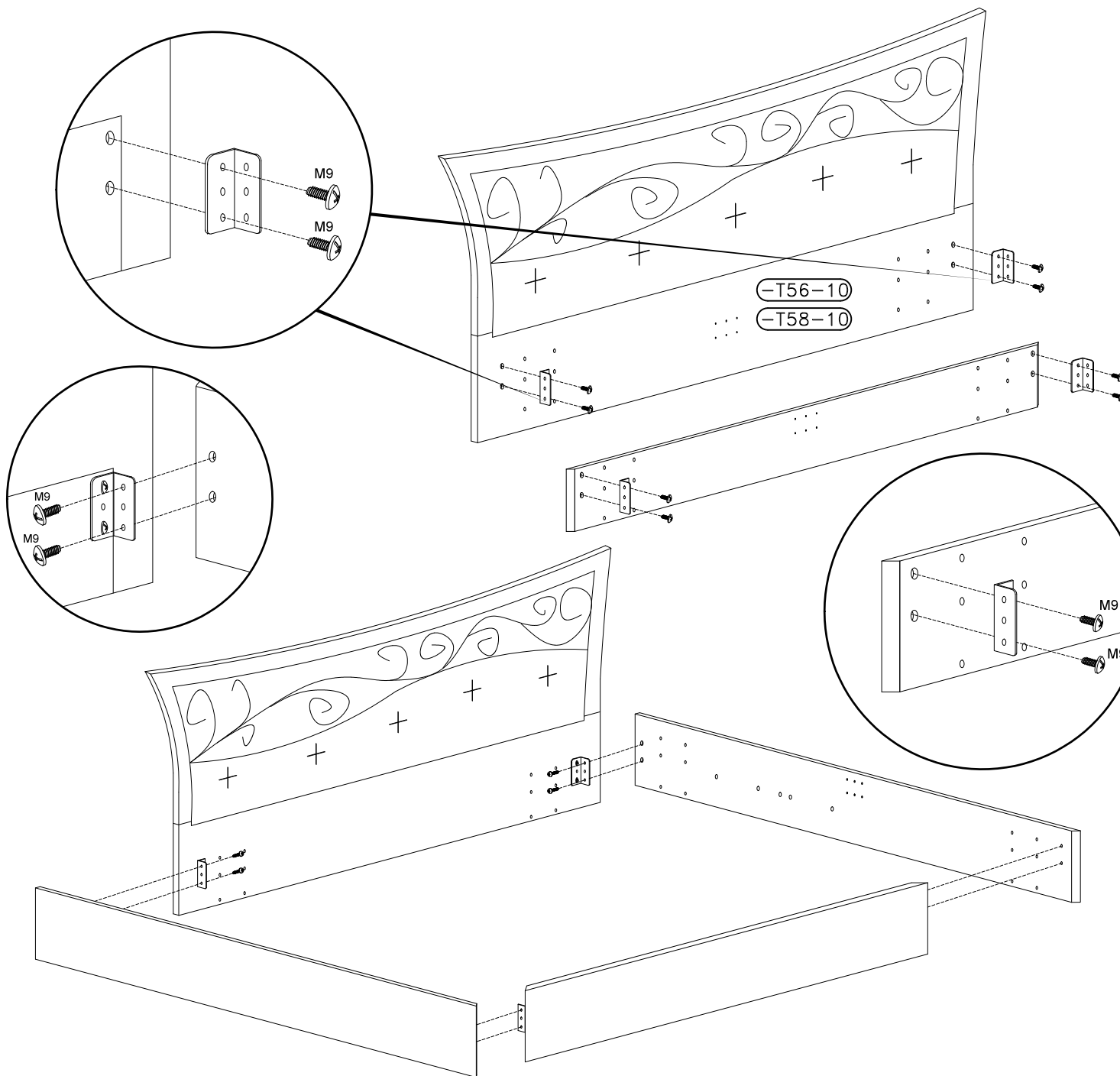
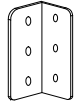




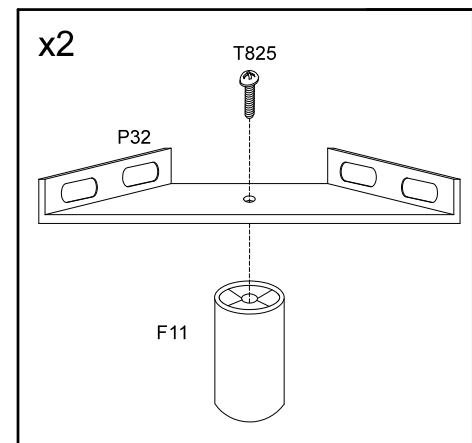


| | | | | | | | | |
|------|---|-----|-------|---|----|---------------|---|----|
| R8 |  | x2 | T10 |  | x2 | T15 |  | x2 |
| | | | | | | 6 ma X 15 mm. | | |
| P13 |  | x8 | PR |  | x1 | V15 |  | x2 |
| | | | | | | 6x15 mm. | | |
| M9 |  | x60 | P8 |  | x1 | F1 |  | x2 |
| | 6x19 mm. | | | | | | | |
| T825 |  | x4 | T8X40 |  | x1 | L5x38 |  | x2 |
| | 8x25 mm. | | | | | 5,5x38 mm. | | |

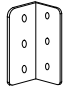



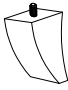

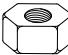


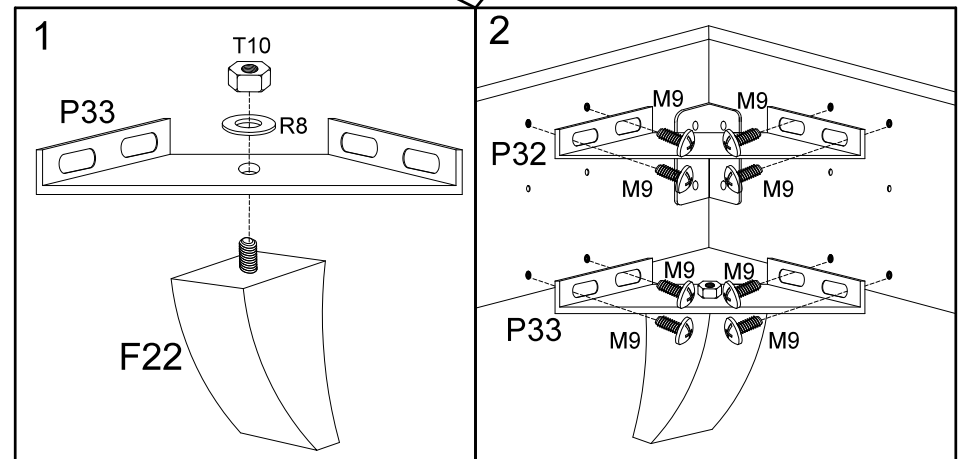
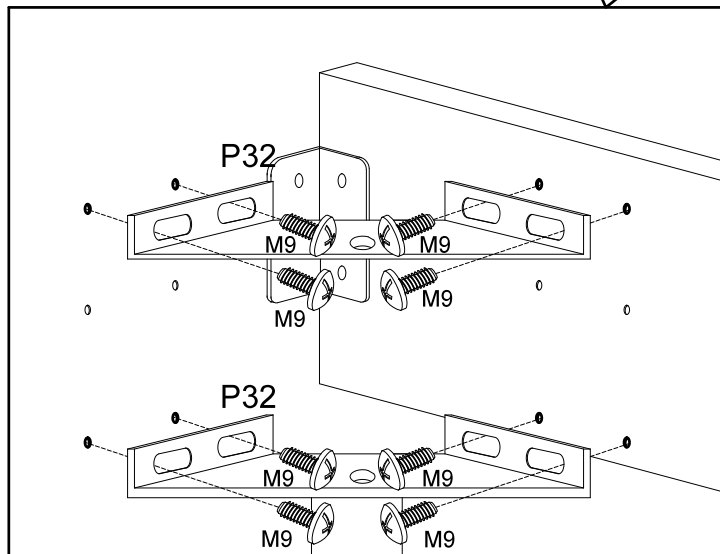
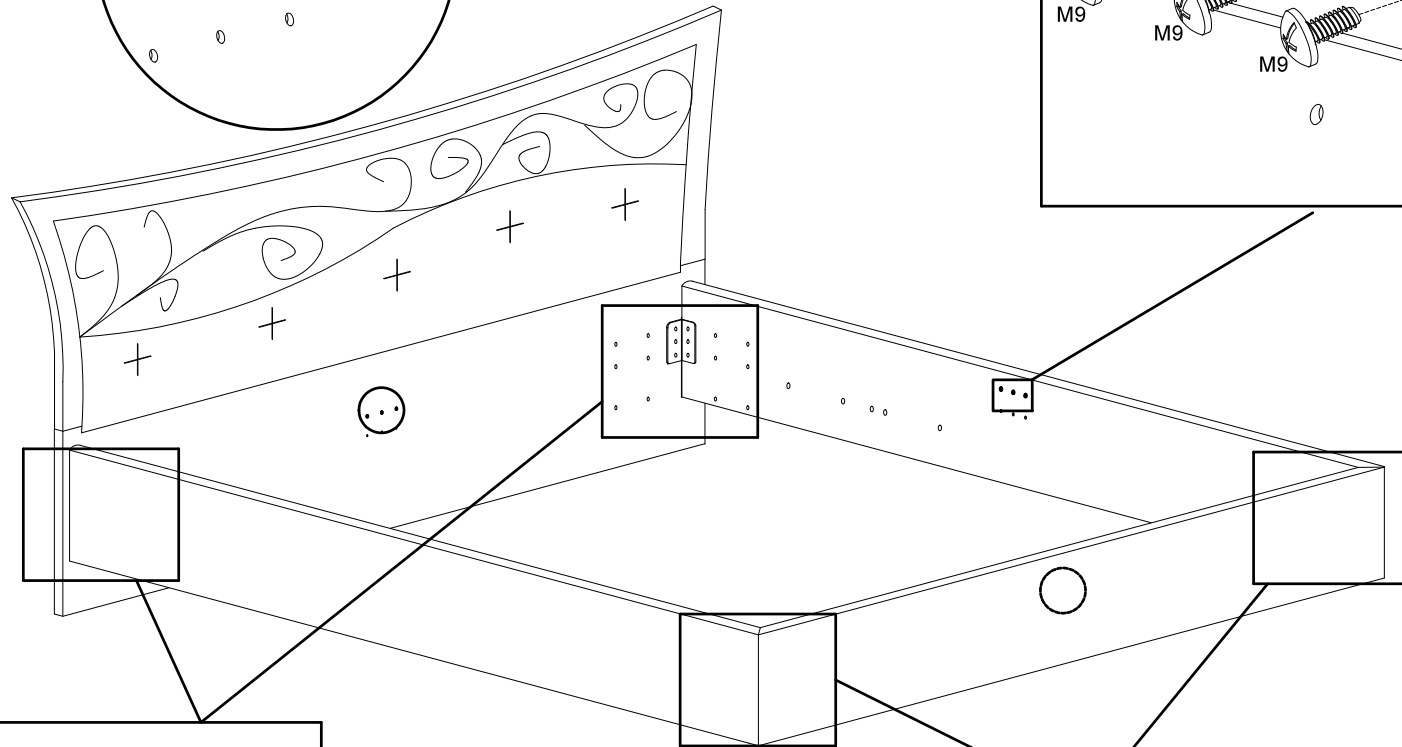
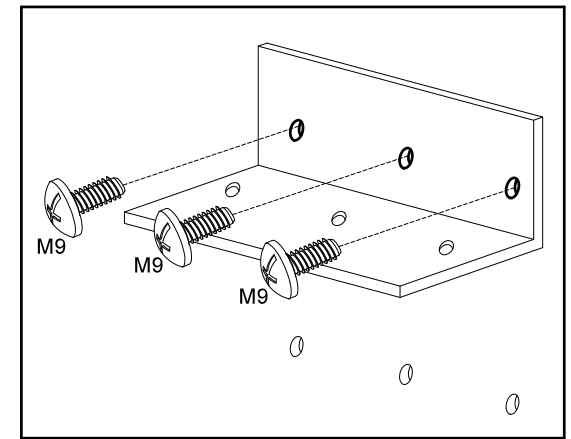
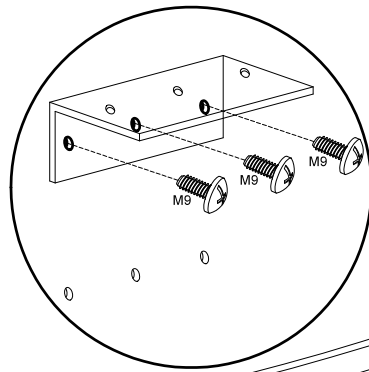


- P13  x4
- M9  6x19 mm. x16
- P32  x2
- T825  8x25 mm. x2
- F11  x2
h 140 mm.

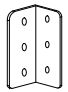



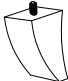

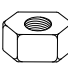


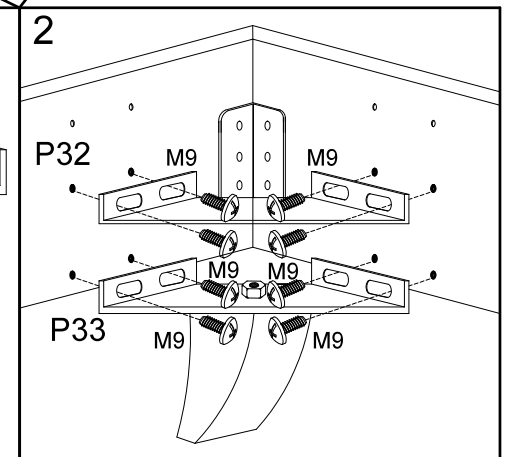
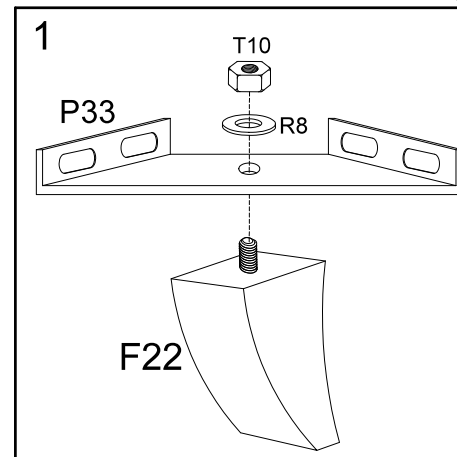
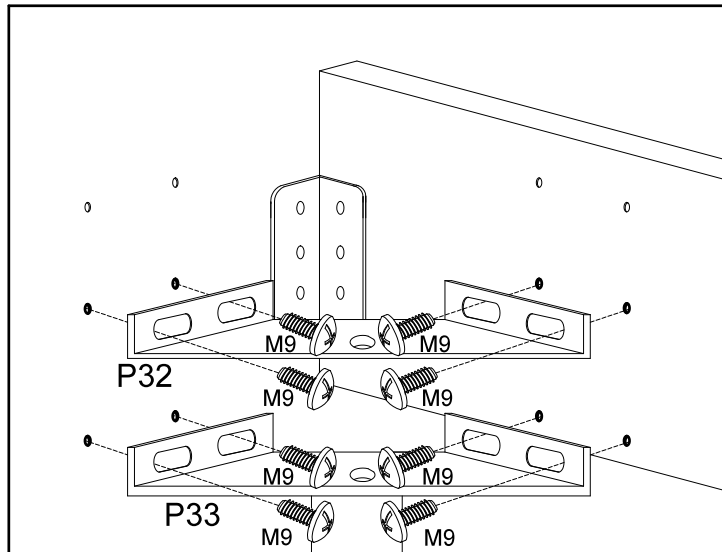
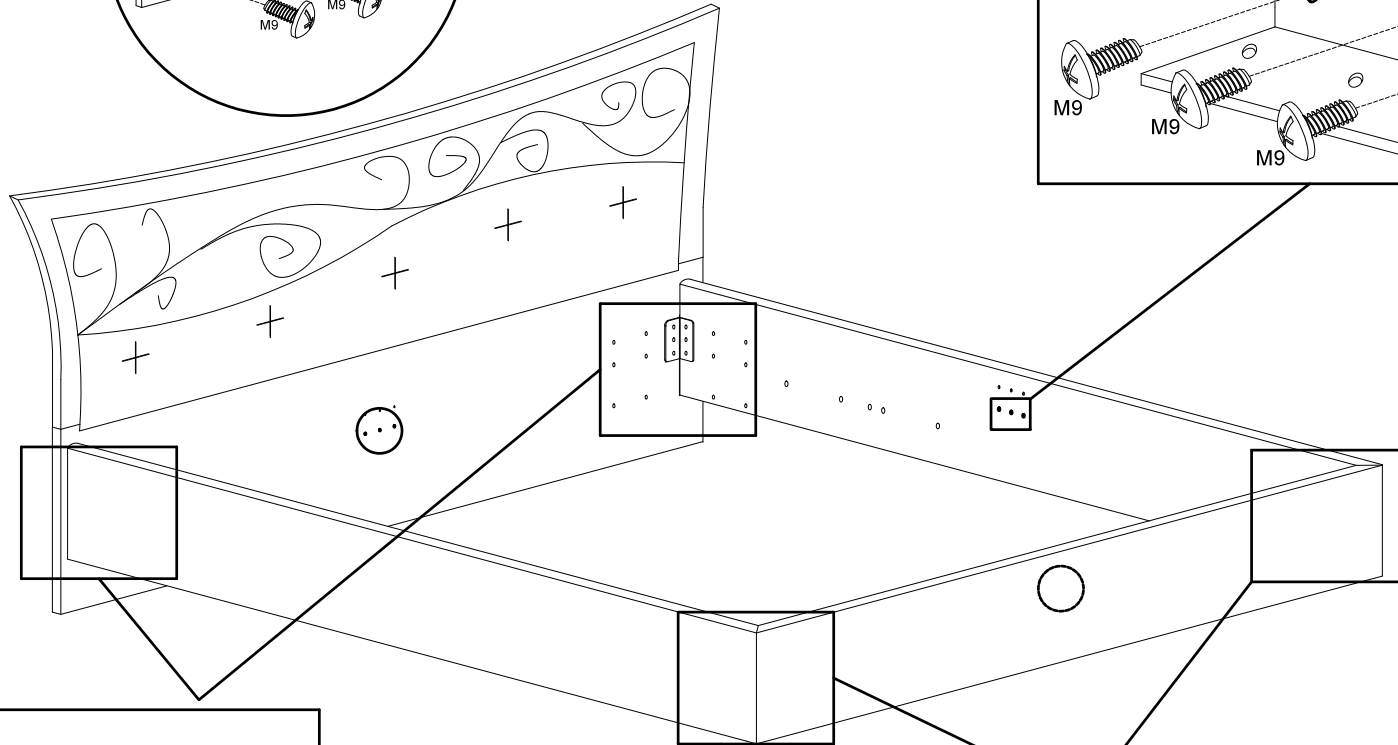
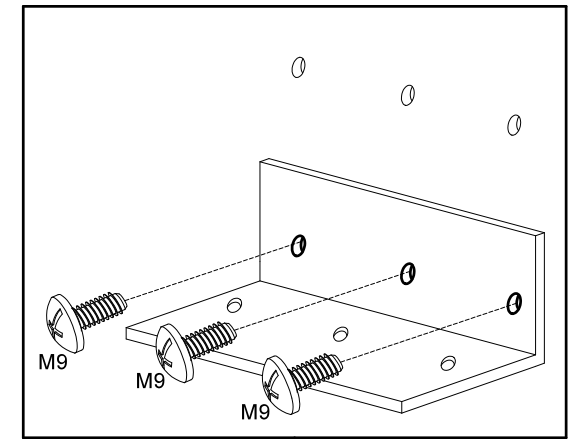
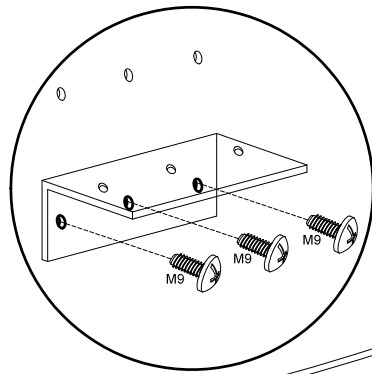
HIGH POSITION


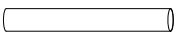
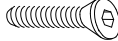
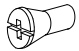

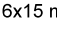


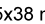
- P13  x4
- M9  6x19 mm. x44
- P32  x6
- P33  x2
- F22  x2
- R8  x2
- T10  x2

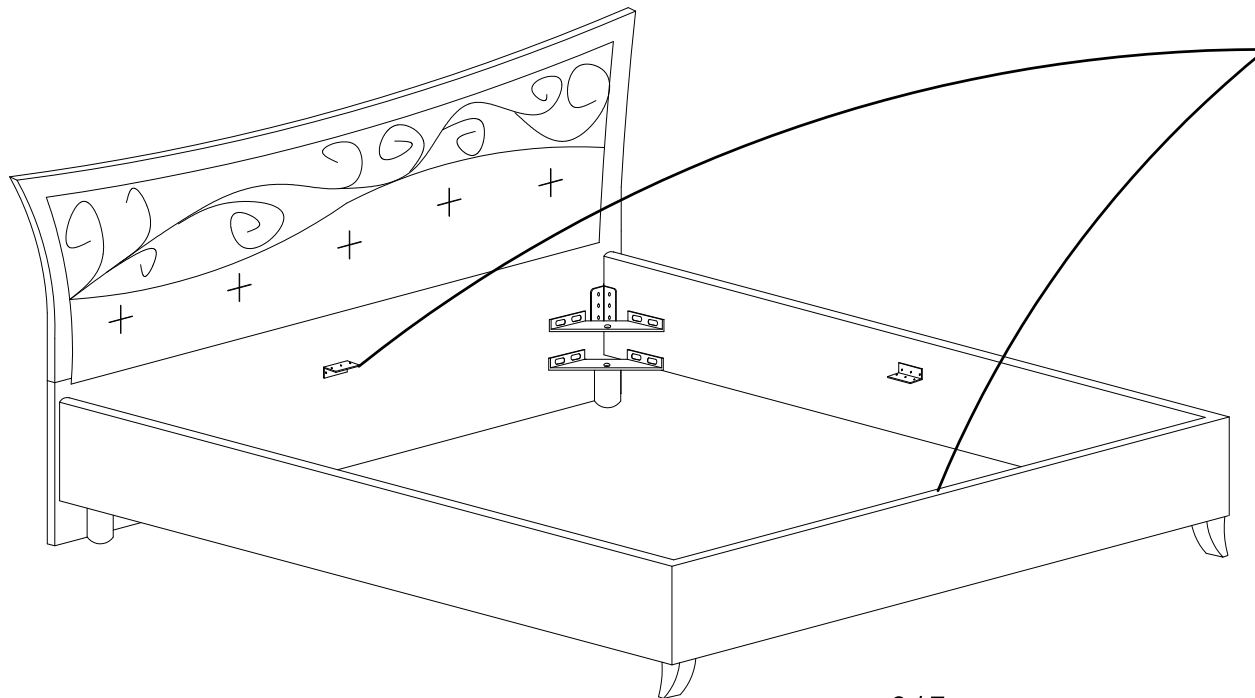
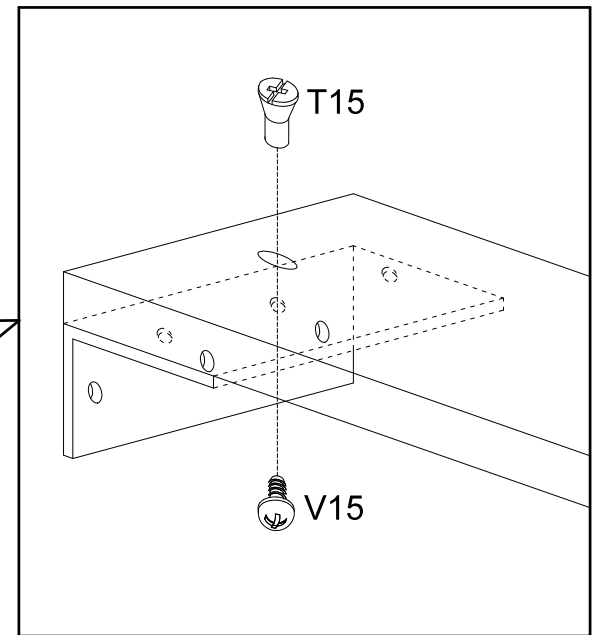
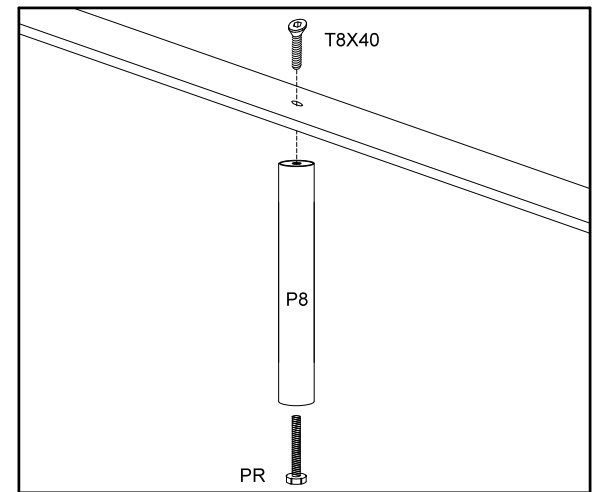
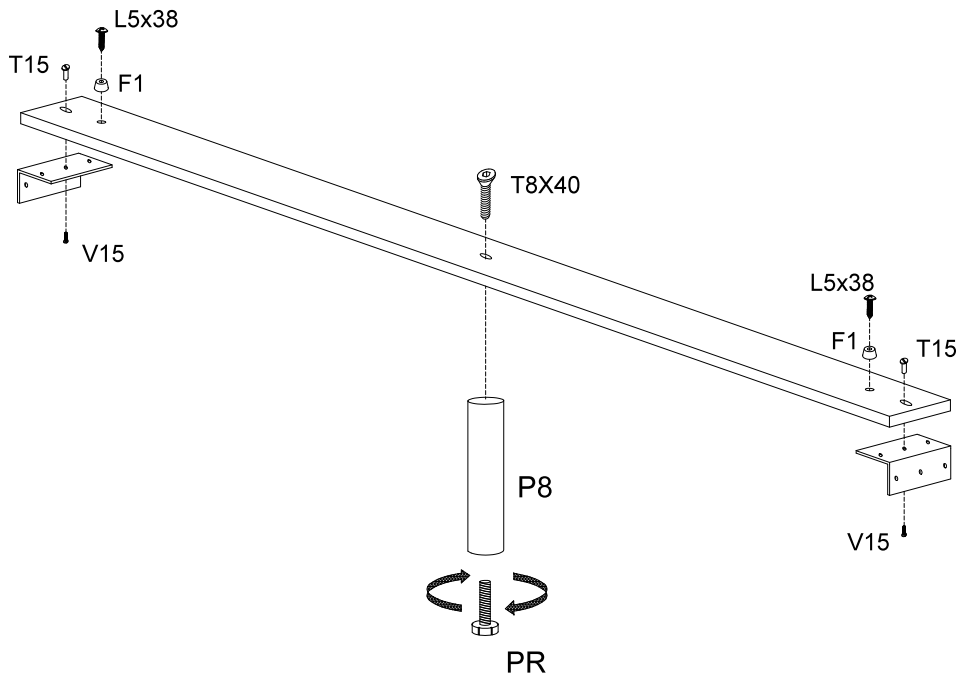


LOW POSITION

- P13  x4
- M9  6x19 mm. x44
- P32  x6
- P33  x2
- F22  x2
- R8  x2
- T10  x2

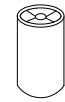


- PR  x1
- P8  x1
- T8X40  x1
- T15  x2
- 6 ma X 15 mm.  x2
- V15  x2
- F1  x2
- L5x38  x2
- 5,5x38 mm.  x2



685223-77 (OPTIONAL)

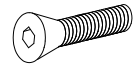
F11



x4

h 140 mm.

T8X40



x4

8x40 mm.

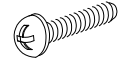
TAP20



x2

Ø20 mm.

T620



x8

6x20 mm.

